

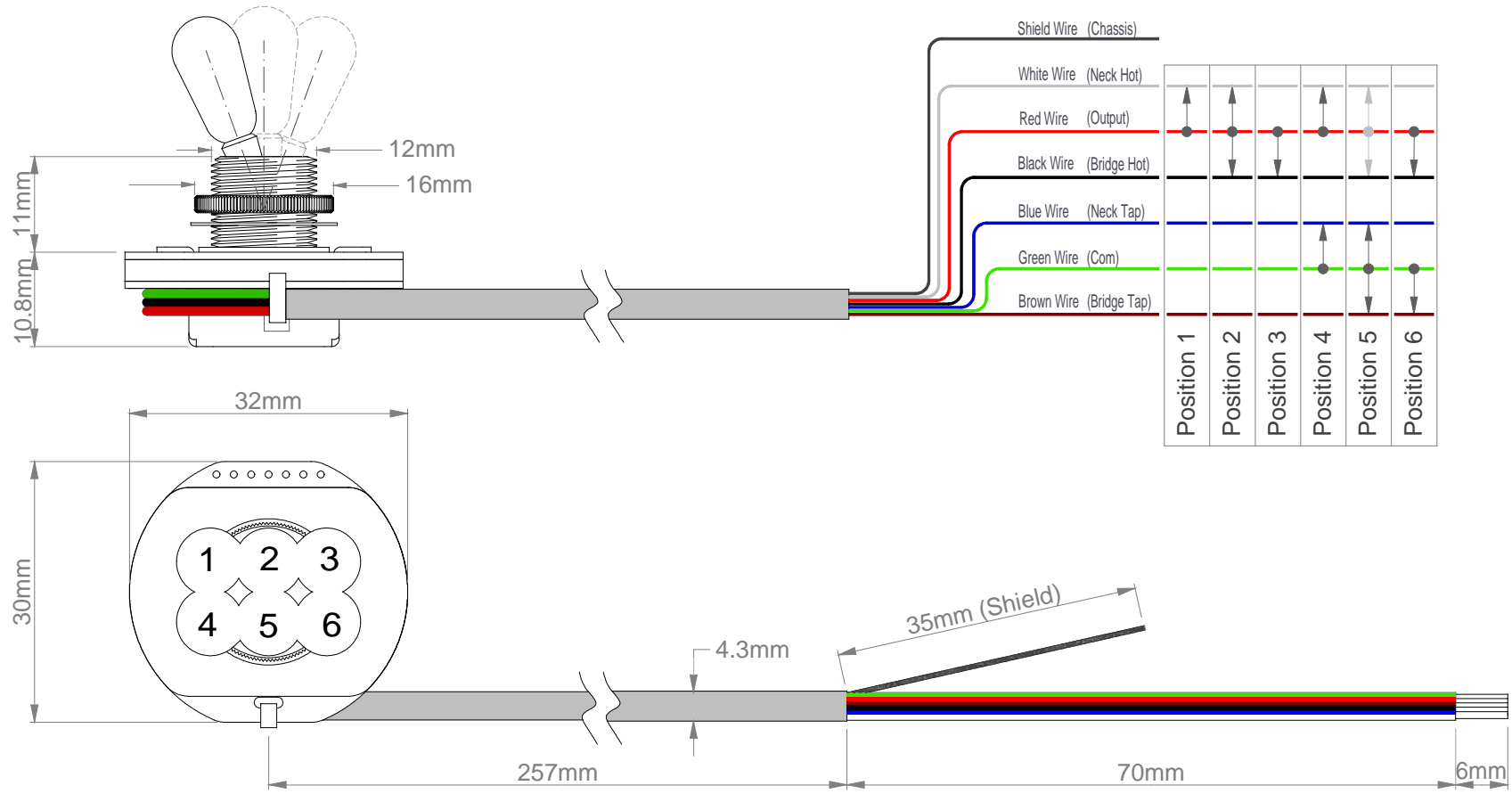
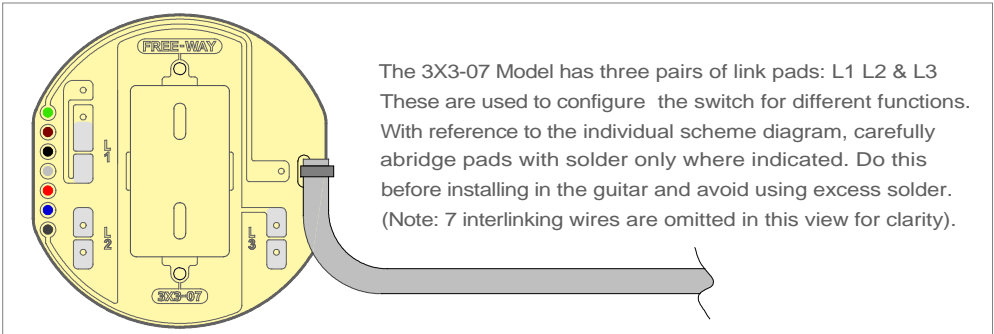
FREE-WAY SWITCH

www.freewayswitch.com

MANUFACTURED IN ENGLAND BY NSF CONTROLS LTD

Last Updated Jul 2017

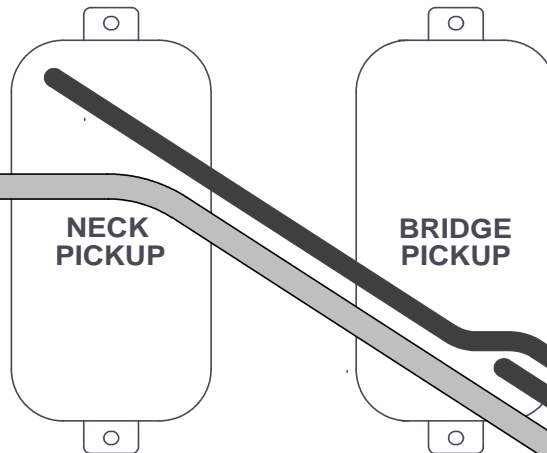
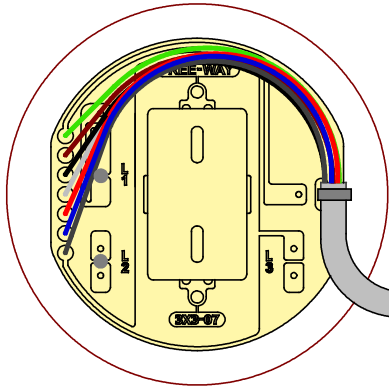
Note: Greyed connections in position 5 are only made when both L1 and L2 are closed.
 Note: When L3 is closed, the shield wire is connected to the green wire in positions 1 2 & 3.



FREE-WAY SWITCH

www.freewayswitch.com

MANUFACTURED IN ENGLAND BY NSF CONTROLS LTD



Notes:-

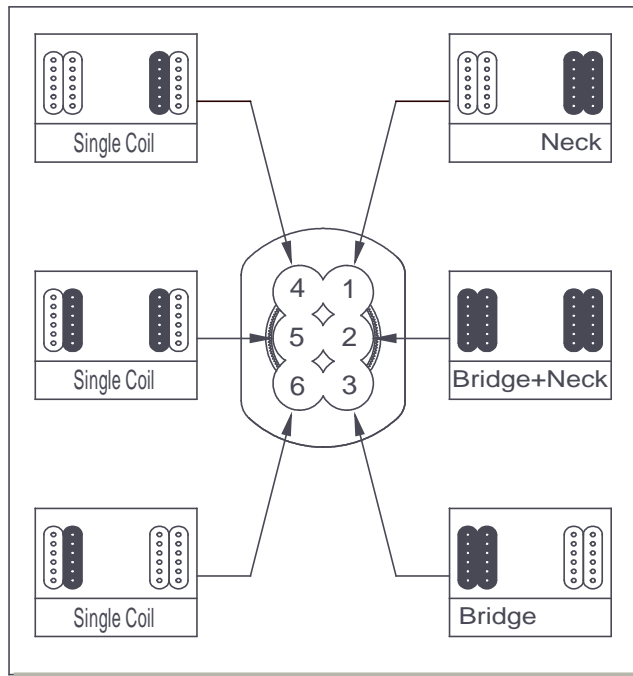
Positions 4, 5 & 6 voice the slug coils on normal humbuckers by grounding the coil link connections.

Four wire to wire connections (marked *) should be soldered and then covered with insulation tape.

The pickup colour coding shown in this diagram does not represent any particular pickup manufacturer - please follow key.

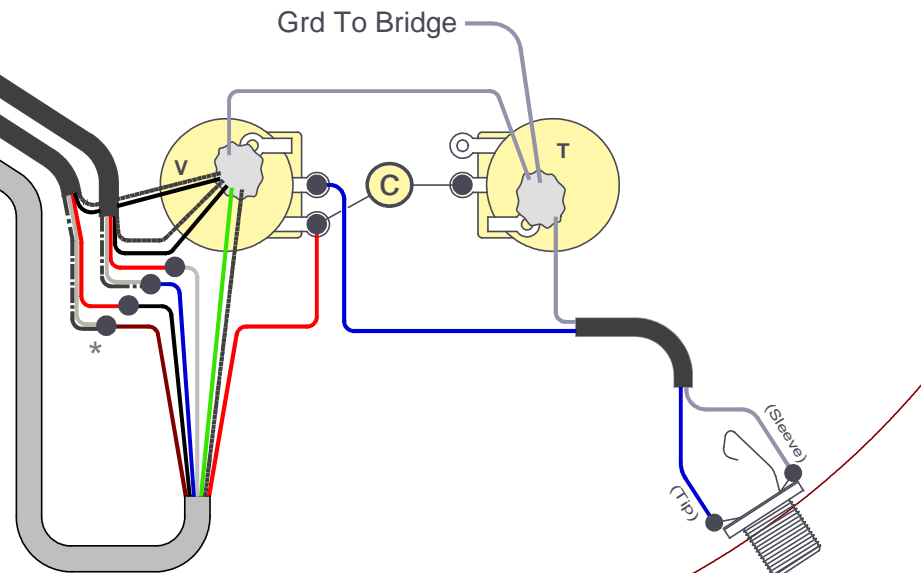
Before installing Switch:-

- Solder L1 Pads together
- Solder L2 Pads together
- Leave L3 unsoldered



HUMBUCKER COLOUR KEY

- NORTH Start wire ——— (Red)
- NORTH Finish wire ——— (Grey)
- SOUTH Finish wire - - - - - (Black)
- SOUTH Start wire ——— (Blue)
- Shield / Screen - - - - - (Green)

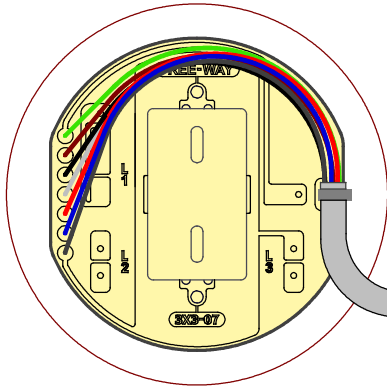


Scheme No 186 : Last Updated May 2018

FREE-WAY SWITCH

www.freewayswitch.com

MANUFACTURED IN ENGLAND BY NSF CONTROLS LTD



NECK PICKUP

MIDDLE PICKUP

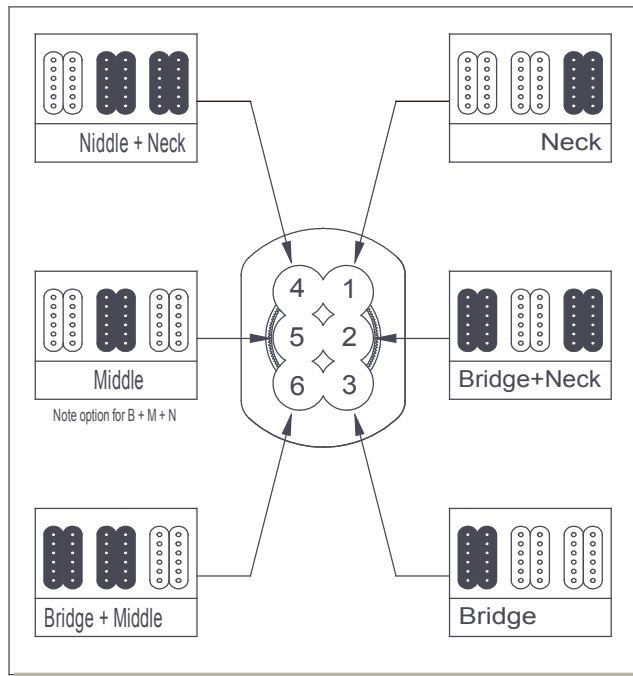
BRIDGE PICKUP

Notes:-

Wire to wire connections (marked *) should be soldered and then covered with insulation tape.

Leave L1 L2 L3 unsoldered

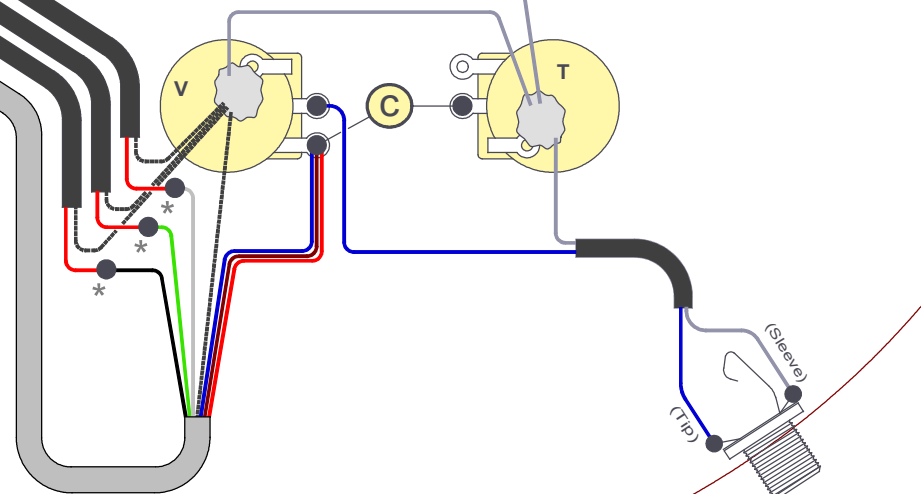
Optionally solder L1 pads together and solder L2 pads together for B + M + N in position 5



HUMBUCKER COLOUR KEY

Hot	—
Shield / Ground	-----

Grd To Bridge



Scheme No 187 : Last Updated Oct 2018