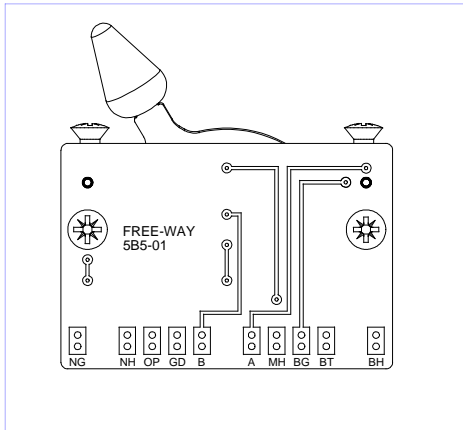
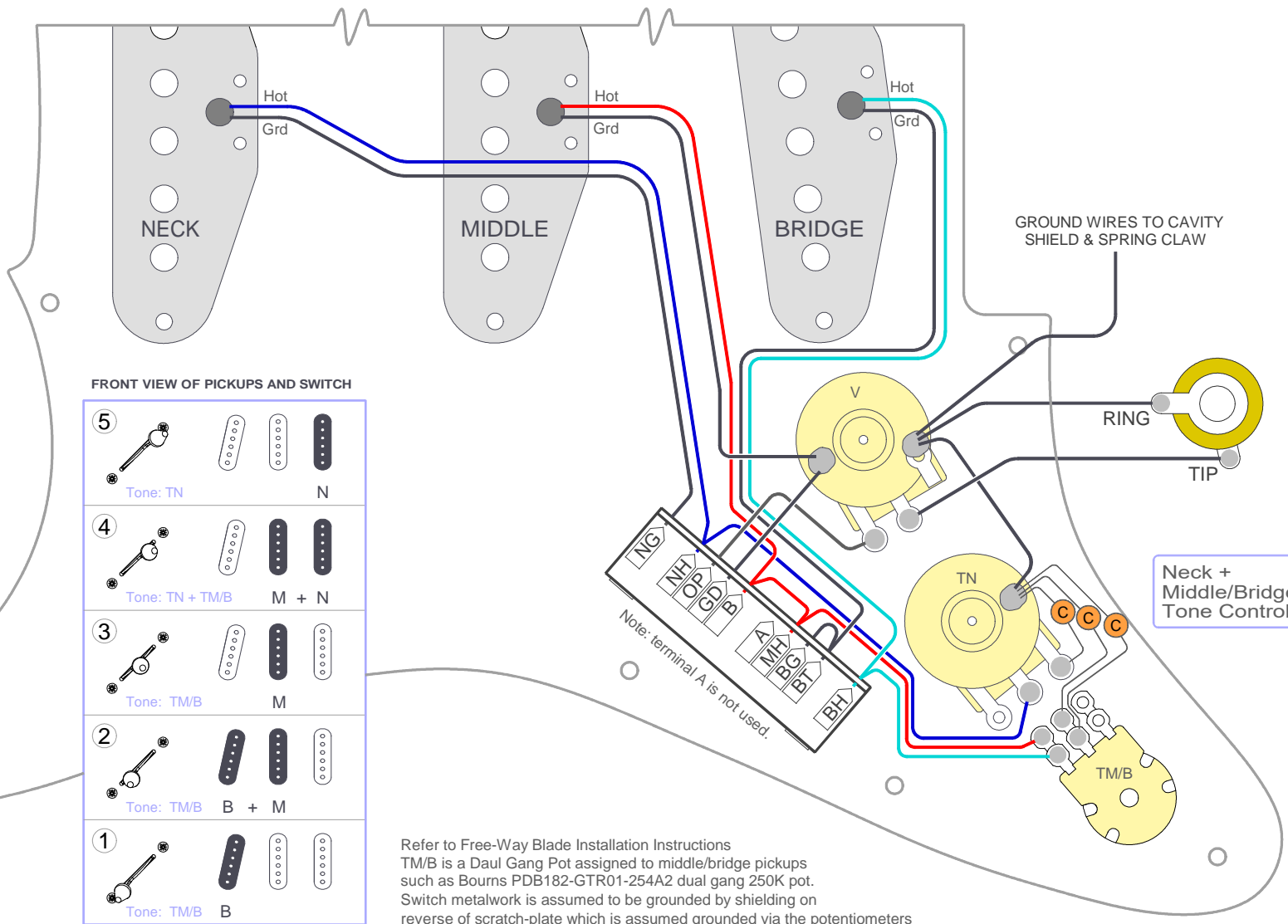


Scheme No B093 : Last Updated Jul 2023  
 © Free-Way 2022

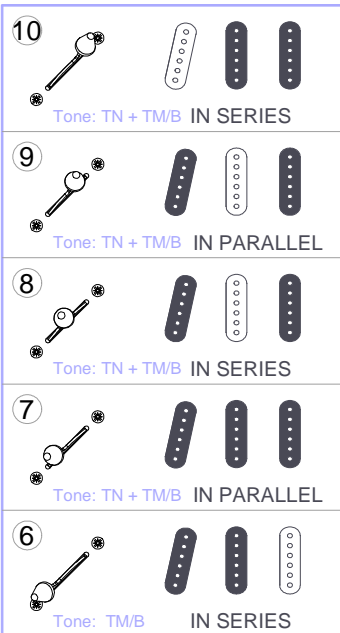


Designed by Free-Way - Manufactured under license by NSF Controls Ltd.

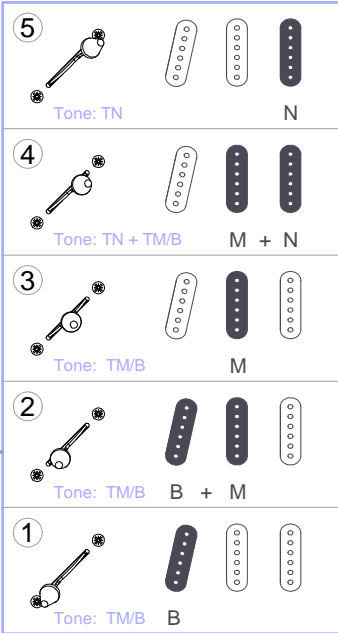
REVERSE VIEW OF PICKUPS, SWITCH AND POTENTIOMETERS.



FRONT VIEW OF PICKUPS AND SWITCH



FRONT VIEW OF PICKUPS AND SWITCH



Note: terminal A is not used.

Refer to Free-Way Blade Installation Instructions  
 TM/B is a Daul Gang Pot assigned to middle/bridge pickups  
 such as Bourns PDB182-GTR01-254A2 dual gang 250K pot.  
 Switch metalwork is assumed to be grounded by shielding on  
 reverse of scratch-plate which is assumed grounded via the potentiometers

Model No:- 5B5-01



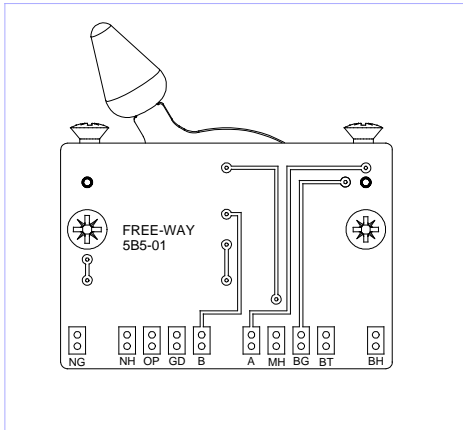
SSS Parallel Series Scheme A3 1V/2T

Scheme No B094 : Last Updated Jul 2023  
 © Free-Way 2022

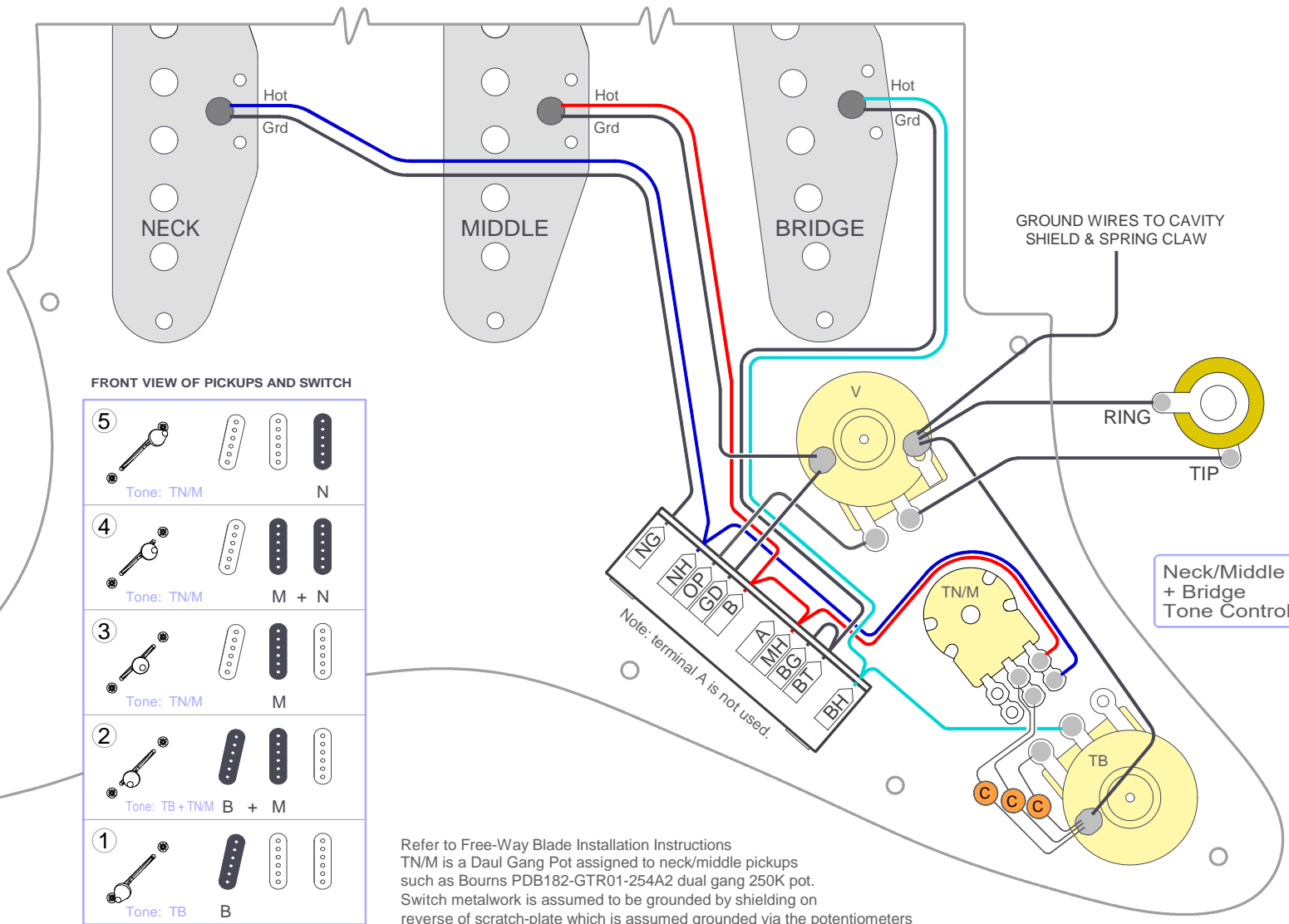
# FREE-WAY SWITCH

www.freewayswitch.com

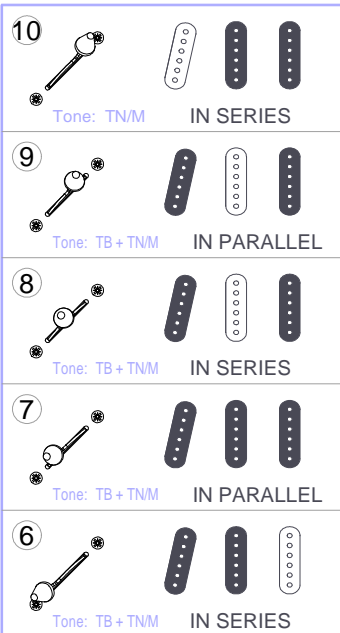
Designed by Free-Way - Manufactured under license by NSF Controls Ltd.



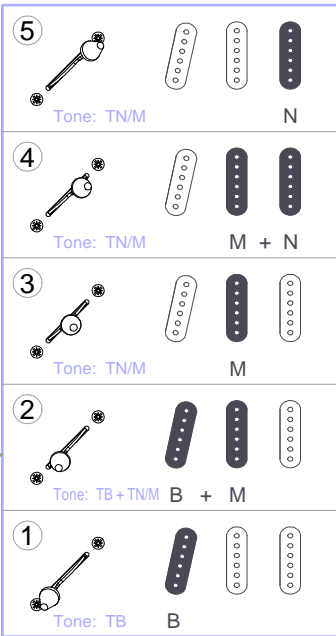
REVERSE VIEW OF PICKUPS, SWITCH AND POTENTIOMETERS.



FRONT VIEW OF PICKUPS AND SWITCH



FRONT VIEW OF PICKUPS AND SWITCH



Refer to Free-Way Blade Installation Instructions  
 TN/M is a Daul Gang Pot assigned to neck/middle pickups such as Bourns PDB182-GTR01-254A2 dual gang 250K pot. Switch metalwork is assumed to be grounded by shielding on reverse of scratch-plate which is assumed grounded via the potentiometers

Model No:- 5B5-01



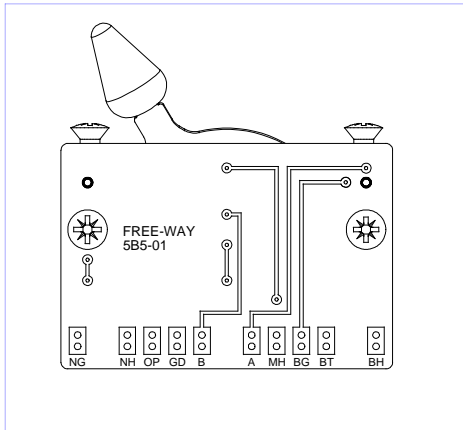
SSS Parallel Series Scheme A4 1V/2T

Scheme No B081 : Last Updated June 2021  
 © Free-Way 2021

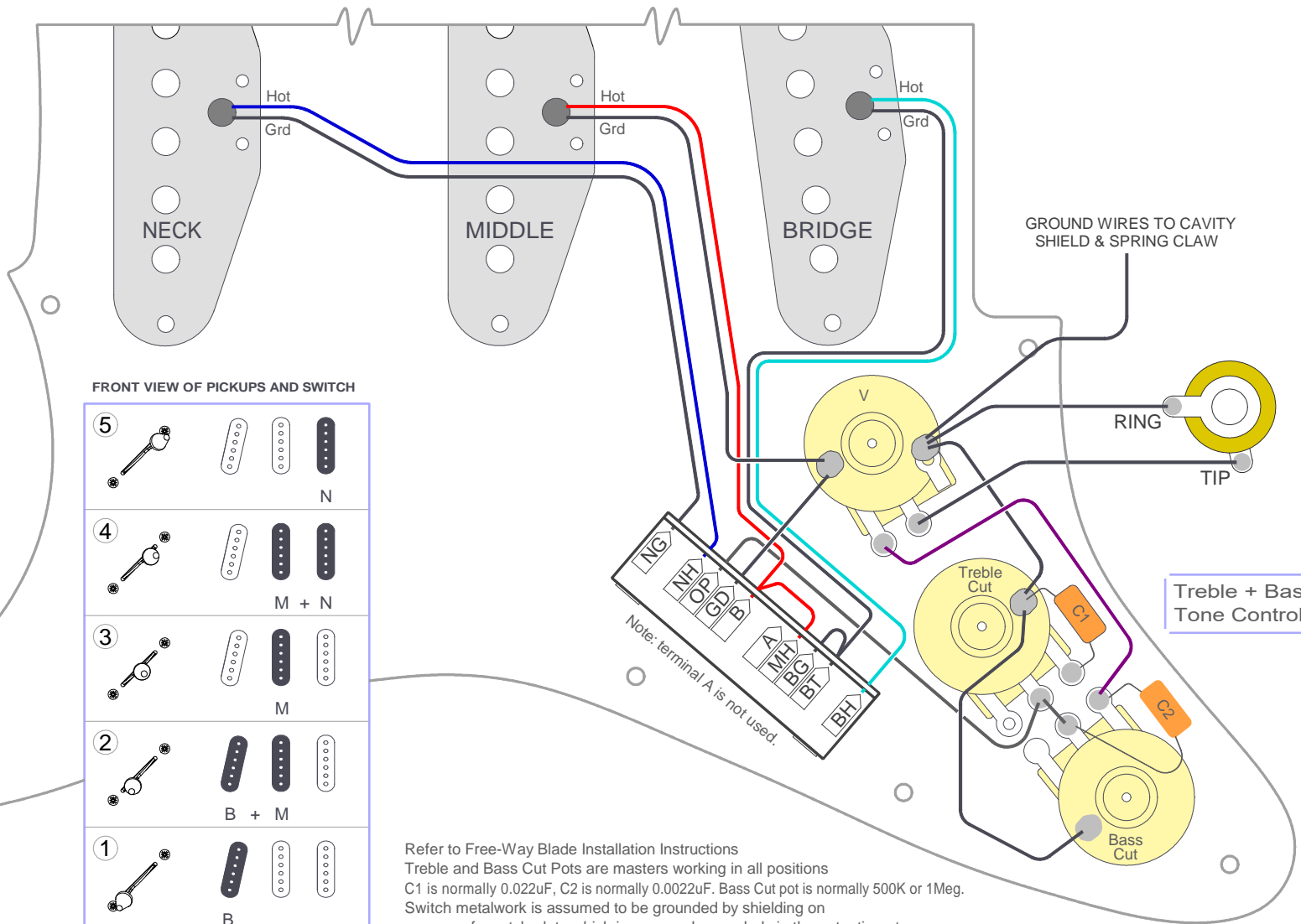
# FREE-WAY SWITCH

www.freewayswitch.com

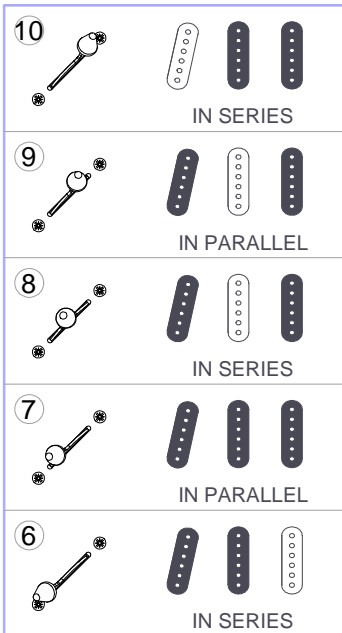
Designed by Free-Way - Manufactured under license by NSF Controls Ltd.



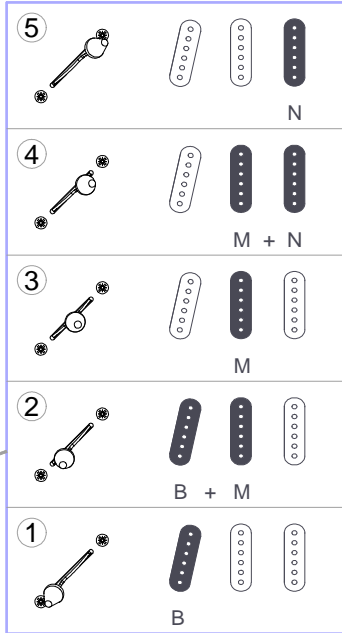
REVERSE VIEW OF PICKUPS, SWITCH AND POTENTIOMETERS.



FRONT VIEW OF PICKUPS AND SWITCH



FRONT VIEW OF PICKUPS AND SWITCH



Refer to Free-Way Blade Installation Instructions  
 Treble and Bass Cut Pots are masters working in all positions  
 C1 is normally 0.022uF, C2 is normally 0.0022uF. Bass Cut pot is normally 500K or 1Meg.  
 Switch metalwork is assumed to be grounded by shielding on reverse of scratch-plate which is assumed grounded via the potentiometers

Model No:- 5B5-01



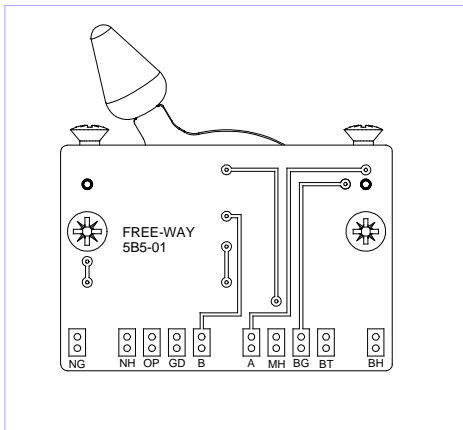
SSS Parallel Series Scheme A 1V/2T

Scheme No B082 : Last Updated June 2021  
 © Free-Way 2021

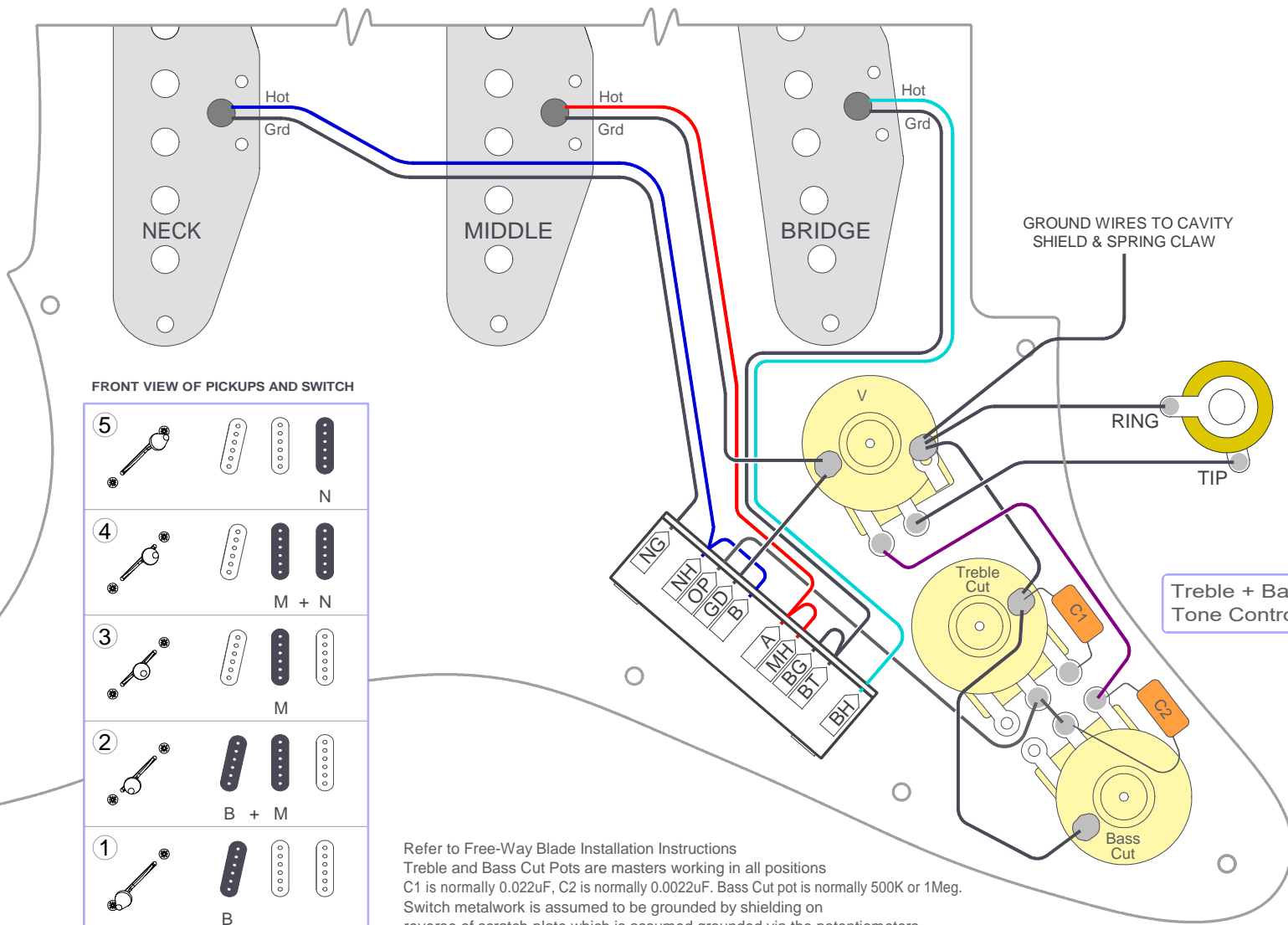
# FREE-WAY SWITCH

www.freewayswitch.com

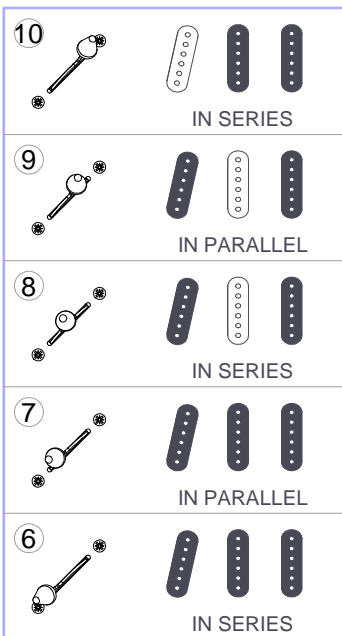
Designed by Free-Way - Manufactured under license by NSF Controls Ltd.



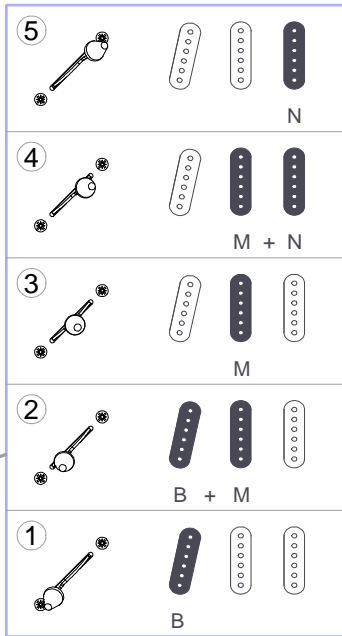
REVERSE VIEW OF PICKUPS, SWITCH AND POTENTIOMETERS.



FRONT VIEW OF PICKUPS AND SWITCH



FRONT VIEW OF PICKUPS AND SWITCH



Refer to Free-Way Blade Installation Instructions  
 Treble and Bass Cut Pots are masters working in all positions  
 C1 is normally 0.022uF, C2 is normally 0.0022uF. Bass Cut pot is normally 500K or 1Meg.  
 Switch metalwork is assumed to be grounded by shielding on reverse of scratch-plate which is assumed grounded via the potentiometers

Model No:- 5B5-01

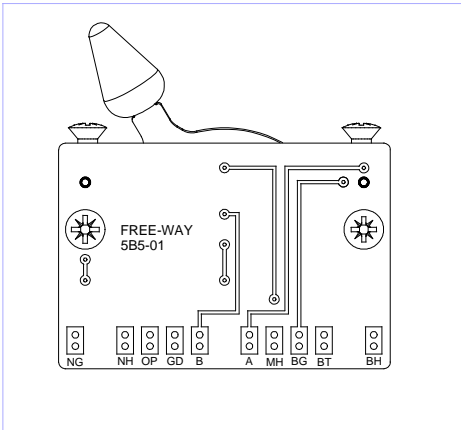


SSS Parallel Series Scheme B 1V/2T

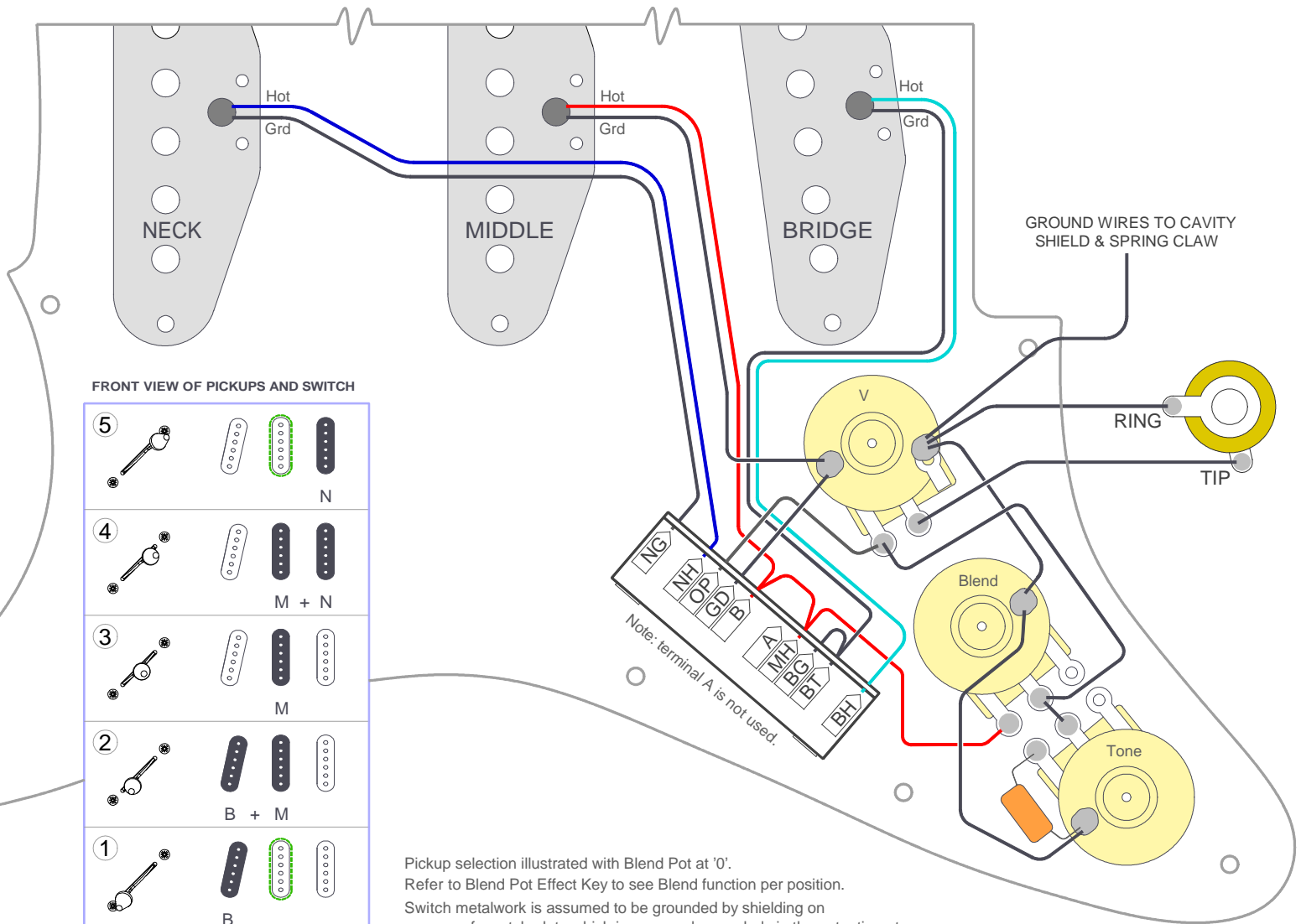
Scheme No B106 : Last Updated Jun 2023  
 © Free-Way 2023



Designed by Free-Way - Manufactured under license by NSF Controls Ltd.



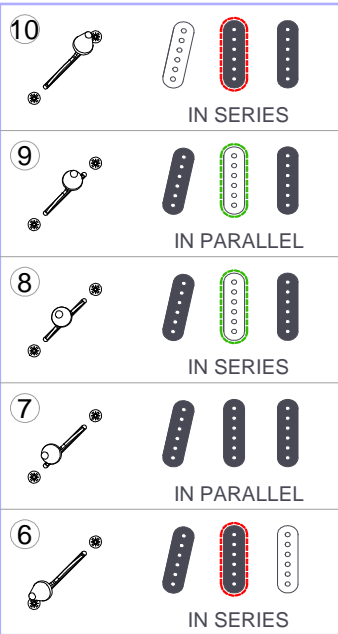
REVERSE VIEW OF PICKUPS, SWITCH AND POTENTIOMETERS.



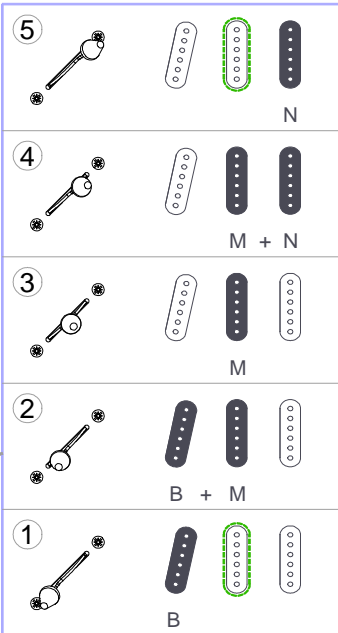
BLEND POT EFFECT KEY



FRONT VIEW OF PICKUPS AND SWITCH



FRONT VIEW OF PICKUPS AND SWITCH



Pickup selection illustrated with Blend Pot at '0'.  
 Refer to Blend Pot Effect Key to see Blend function per position.  
 Switch metalwork is assumed to be grounded by shielding on reverse of scratch-plate which is assumed grounded via the potentiometers

Model No:- 5B5-01



SSS Parallel Series Blend Scheme A5 1V/1B/1T