

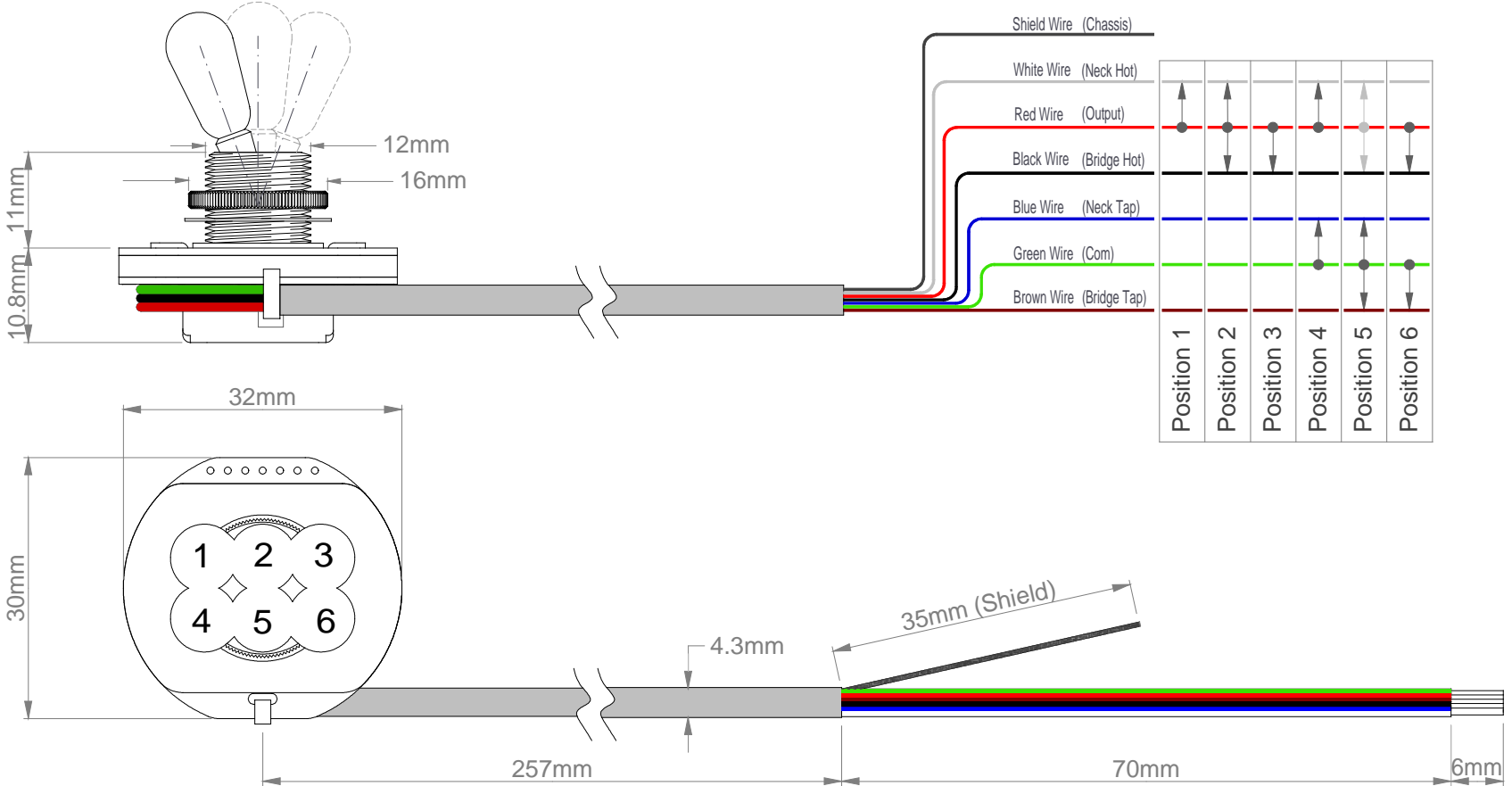
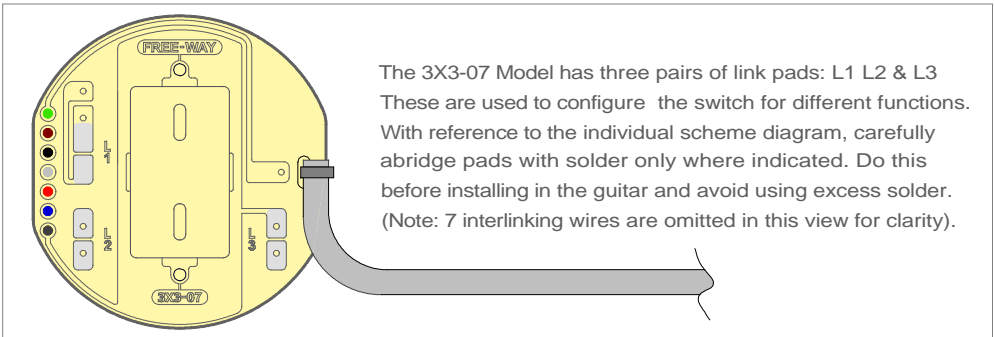
FREE-WAY SWITCH

www.freewayswitch.com

MANUFACTURED IN ENGLAND BY NSF CONTROLS LTD

Last Updated Jul 2017

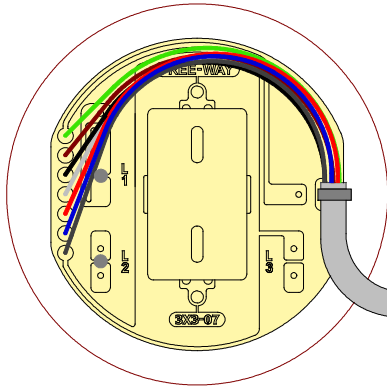
Note: Greyed connections in position 5 are only made when both L1 and L2 are closed.
 Note: When L3 is closed, the shield wire is connected to the green wire in positions 1 2 & 3.



FREE-WAY SWITCH

www.freewayswitch.com

MANUFACTURED IN ENGLAND BY NSF CONTROLS LTD



Notes:-

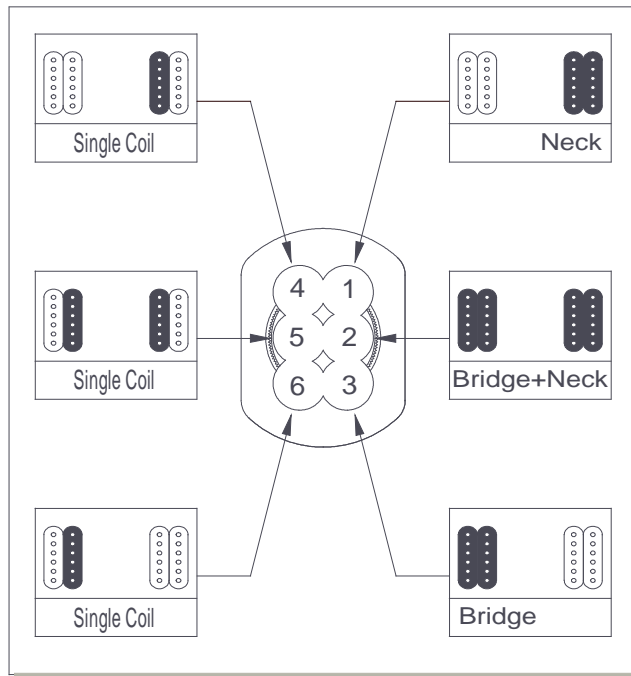
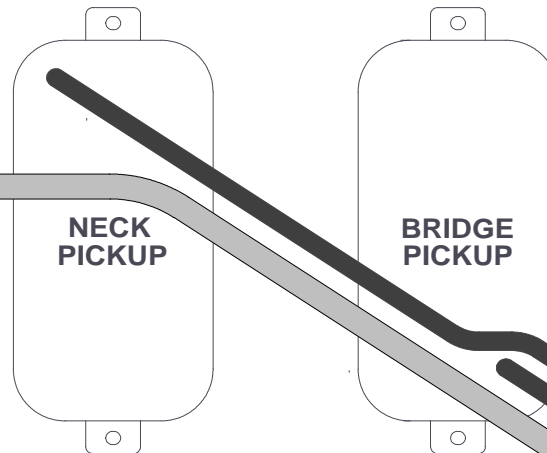
Positions 4, 5 & 6 voice the slug coils on normal humbuckers by grounding the coil link connections.

Wire to wire connections (marked *) should be soldered and then covered with insulation tape.

The pickup colour coding shown in this diagram does not represent any particular pickup manufacturer - please follow key.

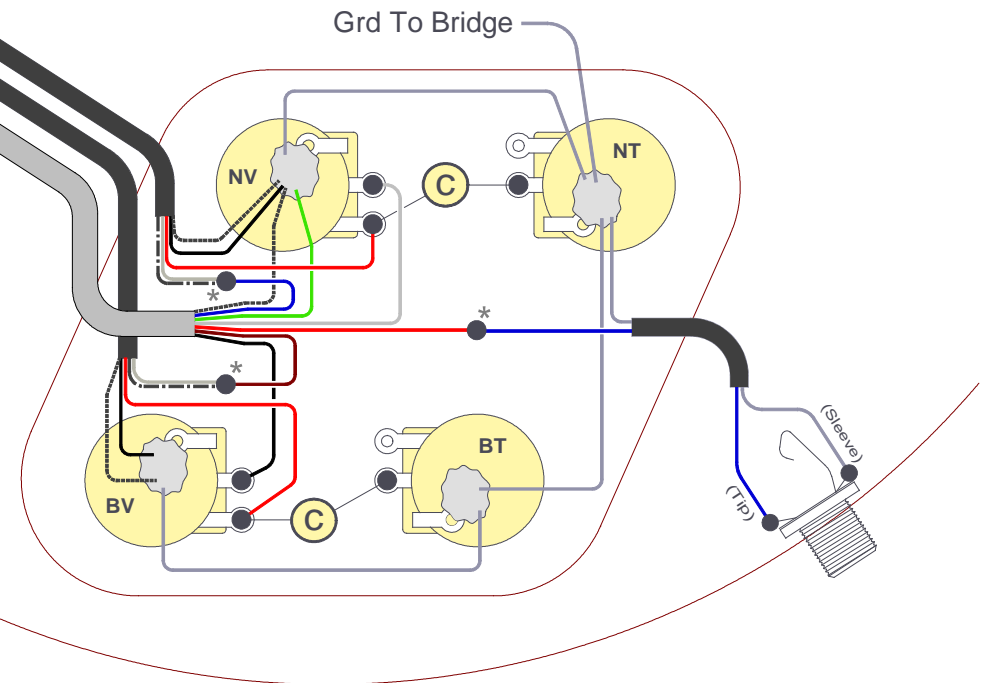
Before installing Switch:-

- Solder L1 Pads together
- Solder L2 Pads together
- Leave L3 unsoldered



HUMBUCKER COLOUR KEY

- NORTH Start wire ——— (Red)
- NORTH Finish wire ——— (Grey)
- SOUTH Finish wire - - - - - (Dashed)
- SOUTH Start wire ——— (Black)
- Shield / Screen - - - - - (Dotted)

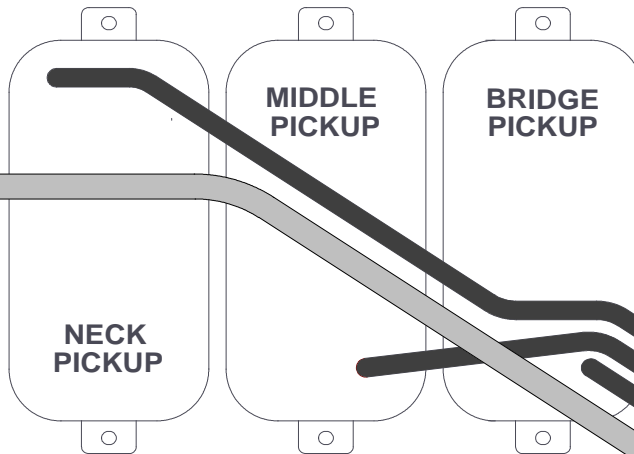
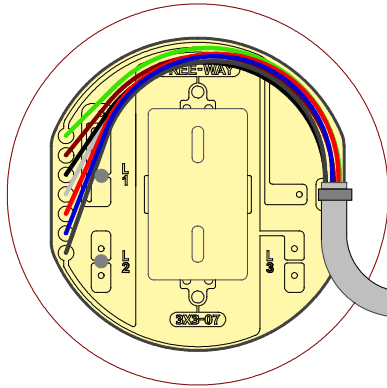


Scheme No 181 : Last Updated March 2017

FREE-WAY SWITCH

www.freewayswitch.com

MANUFACTURED IN ENGLAND BY NSF CONTROLS LTD



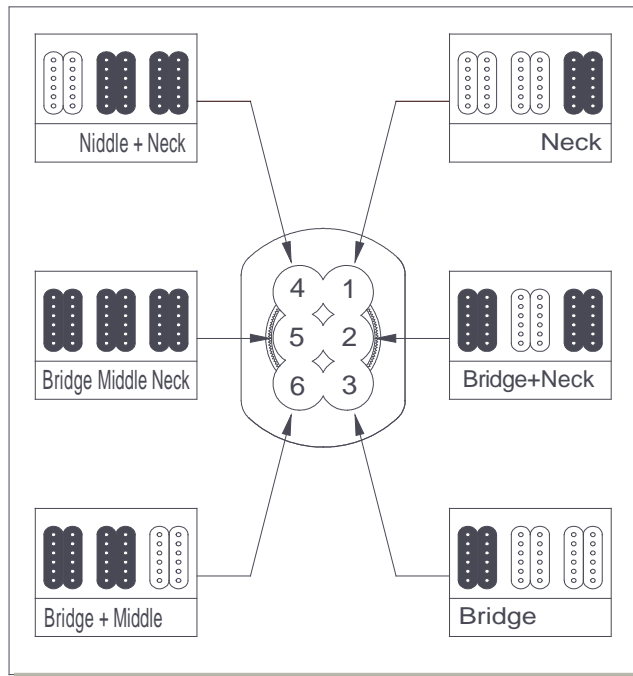
Notes:-

Positions 4, 5 & 6 combine the middle pickup which is added to neck or bridge vol/tone controls, according to switch position.

Wire to wire connections (marked *) should be soldered and then covered with insulation tape.

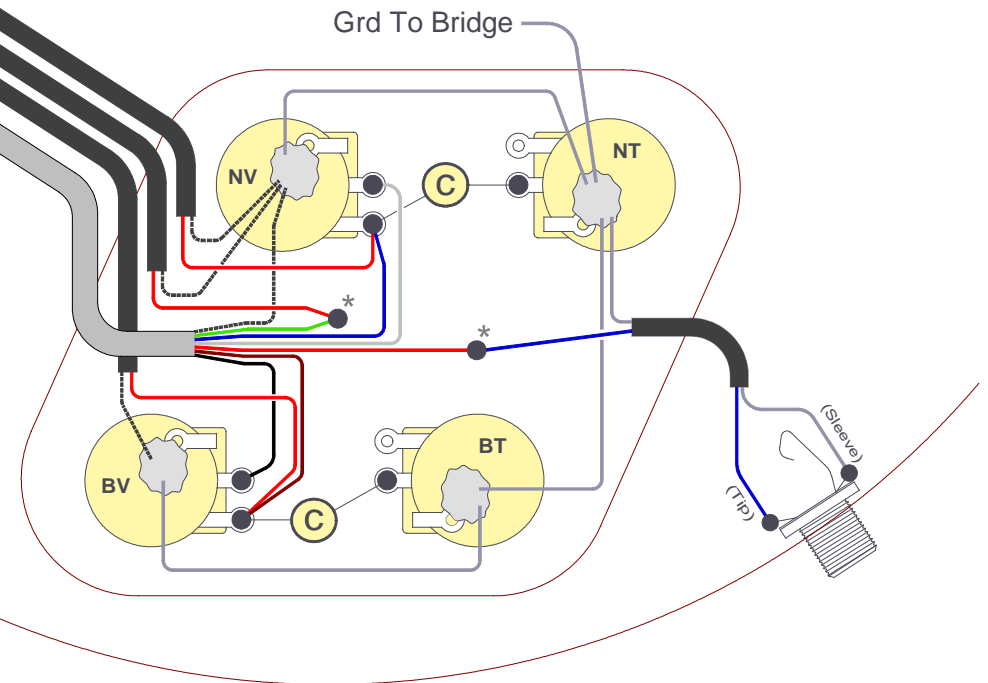
Before installing Switch:-

- Solder L1 Pads together
- Solder L2 Pads together
- Leave L3 unsoldered



HUMBUCKER COLOUR KEY

- Hot ————
- Shield / Ground - - - - -

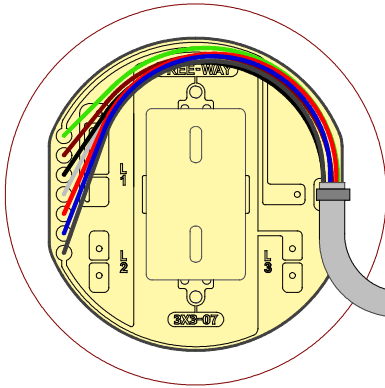


Scheme No 182 : Last Updated March 2017

FREE-WAY SWITCH

www.freewayswitch.com

MANUFACTURED IN ENGLAND BY NSF CONTROLS LTD



NECK PICKUP

MIDDLE PICKUP

BRIDGE PICKUP

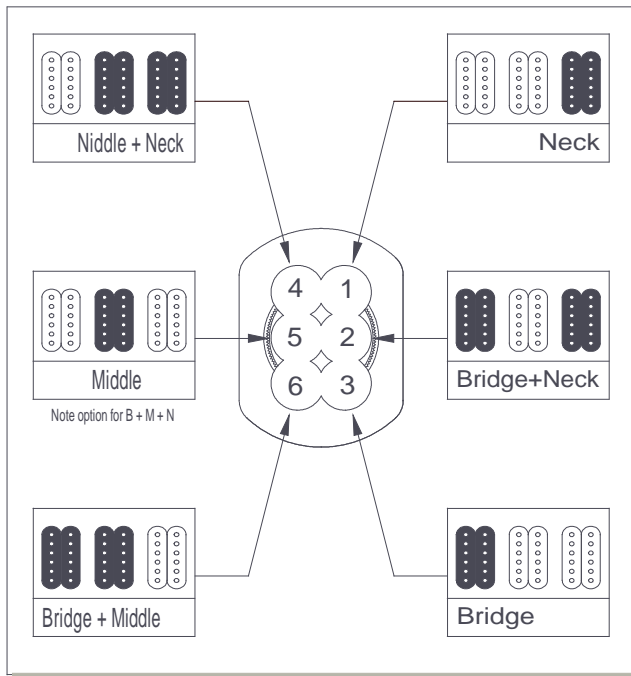
Notes:-

Each pickup has it's own volume (NV MV BV) together with a master tone control (T). MV is wired for independent volume, allowing mixing of the middle pickup in positions 4 & 6.

Wire to wire connections (marked *) should be soldered and then covered with insulation tape.

Leave L1 L2 L3 unsoldered

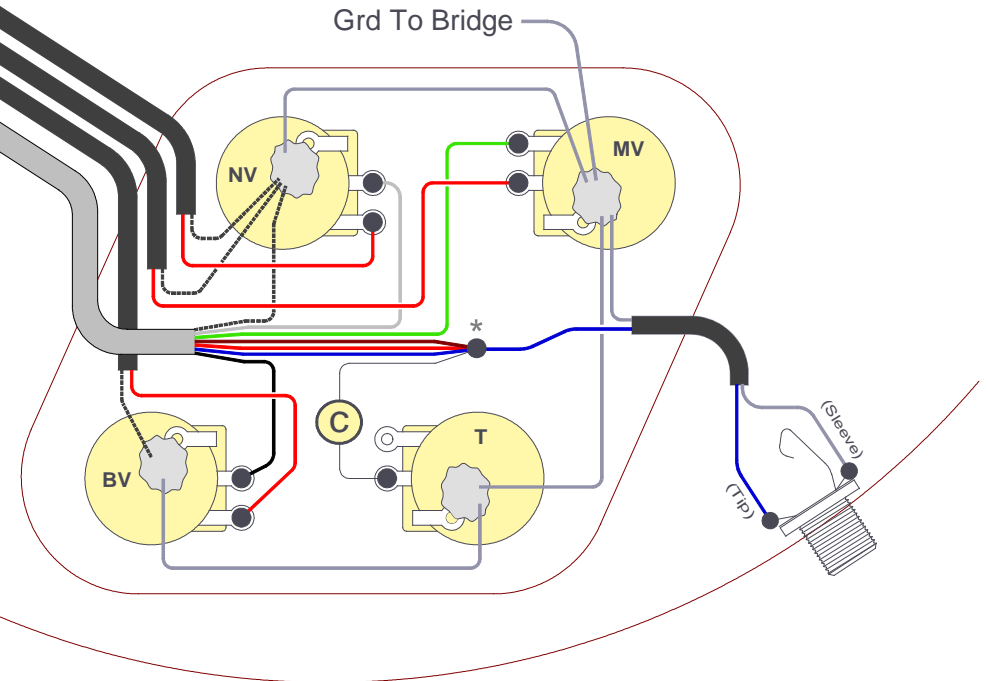
Optionally solder L1 pads together and solder L2 pads together for B + M + N in position 5



HUMBUCKER COLOUR KEY

Hot ————

Shield / Ground - - - - -

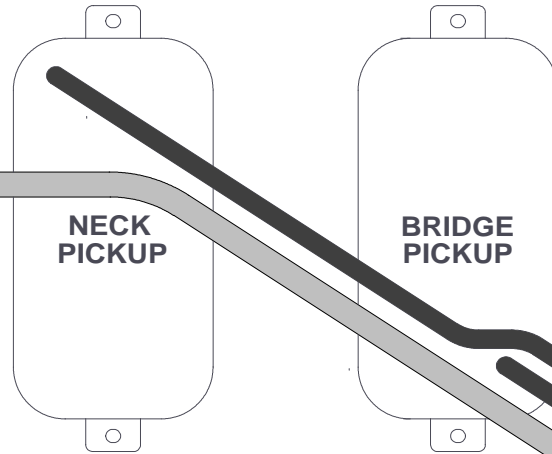
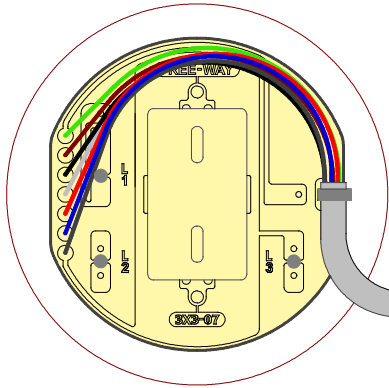


Scheme No 183 : Last Updated March 2017

FREE-WAY SWITCH

www.freewayswitch.com

MANUFACTURED IN ENGLAND BY NSF CONTROLS LTD



Notes:-

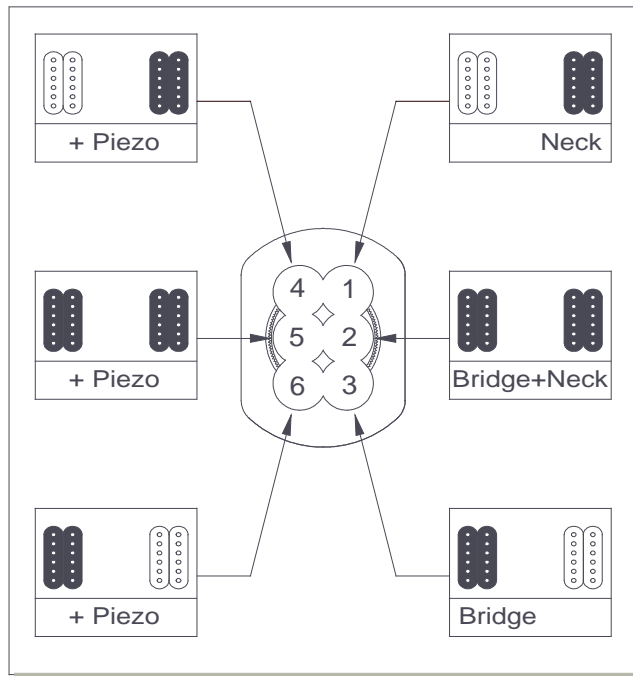
Positions 4, 5 & 6 voice the piezo and magnetic pickups. Piezo output is grounded in positions 1-3 via green wire from Free-Way.

Bare wires (marked *) should be covered with insulation tape.

Magnetic pickups shown with master tone (T) to allow piezo volume (PV). Install piezo in accordance with manufacturers instructions.

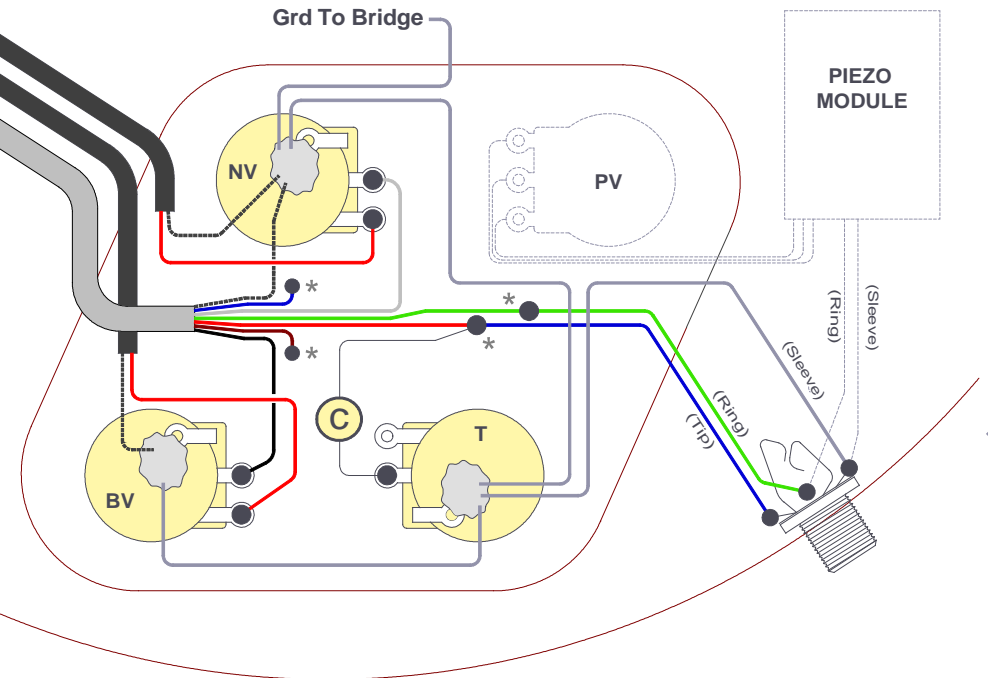
Before installing Switch:-

- Solder L1 Pads together
- Solder L2 Pads together
- Solder L3 Pads together



HUMBUCKER COLOUR KEY

- Hot —
- Shield / Ground - - - - -



Scheme No 184 : Last Updated March 2017